



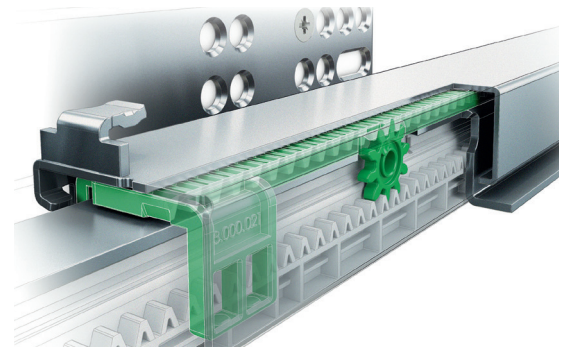
DYNAPRO 3D



G*GRASS®

DYNAPRO SLIDE SYSTEM

Synchronized full extension concealed undermount slides.
Precision in movement, design, and comfort.





Synchronized rack and pinion technology allows Dynapro slides to move in unison with one another, improving glide, reducing noise, and enhancing the closing action.

Dynapro's enhanced features benefit manufacturers, cabinet makers, designers, and homeowners alike. With its excellent running performance at high loads, synchronized smooth extension, and ability to accommodate 48" wide drawers without additional hardware, Dynapro provides a premium option for customers seeking the premier solution for their undermount slides. Dynapro 3D offers both height and side adjustment, as well as depth adjustment via the front locking device, and tilt adjustment with its rear tilt adjustment. Dynapro's integrated German-made Soft-close damper brings the drawer to a gentle, even rest, even when fully loaded or slammed. Its extensive adjustability and front locking device options ensure flawless operation and precise positioning in the cabinetry. In addition, this system can be combined with Grass' mechanical, push-to-open, handle-free Tipmatic system or the Sensomatic electronic opening system for additional functionality and ease of operation.

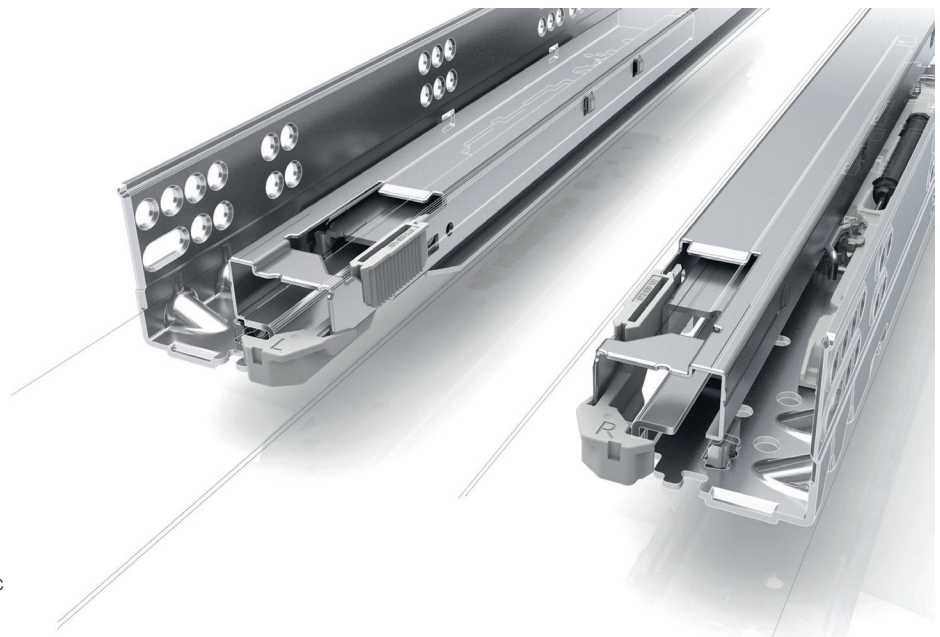


Table of Content

	Description	Adjustment	Page
	<p>Dynapro 16 (3D)</p> <ul style="list-style-type: none"> • Optional 4-dimensional adjustment • Face frame or frameless • With tilt adjustment • Integrated Soft-close, full extension • For 12.7mm (1/2") to 16mm (5/8") material 	<p>Front locking device selection provides:</p> <ul style="list-style-type: none"> • Height adjustment (max +3.5mm) • Side adjustment (max ±1.5mm) • Tilt adjustment (max ±4.0mm) • Depth adjustment (max 3.0mm forward) 	4
	<p>Dynapro 16 (3D) Heavy Duty</p> <ul style="list-style-type: none"> • Optional 4-dimensional adjustment • Face frame or frameless • With tilt adjustment • Extended lengths • Integrated Soft-close, full extension • For 12.7mm (1/2") to 16mm (5/8") material 	<p>Front locking device selection provides:</p> <ul style="list-style-type: none"> • Height adjustment (max +3.5mm) • Side adjustment (max ±1.5mm) • Tilt adjustment (max ±4.0mm) • Depth adjustment (max 3.0mm forward) 	4
	<p>Dynapro 19 (3D)</p> <ul style="list-style-type: none"> • Optional 4-dimensional adjustment • Face frame or frameless • With tilt adjustment • Integrated Soft-close, full extension • For 16mm (5/8") to 19mm (3/4") material 	<p>Front locking device selection provides:</p> <ul style="list-style-type: none"> • Height adjustment (max +3.5mm) • Side adjustment (max ±1.5mm) • Tilt adjustment (max ±4.0mm) • Depth adjustment (max 3.0mm forward) 	6
	<p>Dynapro 19 (3D) Heavy Duty</p> <ul style="list-style-type: none"> • Optional 4-dimensional adjustment • Face frame or frameless • 3-dimensional with tilt adjustment • Extended lengths • Integrated Soft-close, full extension • For 16mm (5/8") to 19mm (3/4") material 	<p>Front locking device selection provides:</p> <ul style="list-style-type: none"> • Height adjustment (max +3.5mm) • Side adjustment (max ±1.5mm) • Tilt adjustment (max ±4.0mm) • Depth adjustment (max 3.0mm forward) 	6
	<p>Dynapro Tipmatic Soft-close</p> <ul style="list-style-type: none"> • For 12.7mm (1/2") to 19mm (3/4") material • Tool-free assembly • Works with Dynapro 3D 16mm and 19mm 	<ul style="list-style-type: none"> • 3-tier adjustment for opening force 	8
	<p>Front Locking Devices and Accessories</p>		9
	<p>Dynapro Base Panel and Pull Out Shelf</p> <ul style="list-style-type: none"> • Frameless, for 16mm (5/8") material • Integrated Soft-close, full extension 	<p>Front locking device selection provides:</p> <ul style="list-style-type: none"> • Height adjustment (max +3.5mm) 	10
	<p>Sensomatic</p> <ul style="list-style-type: none"> • Automatic soft touch drawer opening • Various mounting options 	<ul style="list-style-type: none"> • Adjustable opening strength 	11

Dynapro 16, Full Extension Slide, 3D

Integrated Soft-close with optional 4-dimensional adjustment for 16mm (5/8") drawer material



- Face frame or frameless applications from 12.7mm (1/2") to 16mm (5/8") drawer material
- Full extension with a synchronized mechanism
- Fully enclosed soft-close liquid damping system
- Self-latching front locking devices have comfortable release levers for drawer removal and installation
- Height adjustment +3.5mm with suitable front locking device
- Side adjustment ± 1.5 mm with suitable front locking device
- Tilt adjustment +4.0mm
- Depth adjustment +3.0mm forward with suitable front locking device

Dynapro 16 Full Extension Slide 3D, 100 lb (45 kg)



Drawer Length	Nominal Length	Min Installation Depth	Max Installation Depth	Item No.	PU
229 (9")	262 (10 5/16")	273 (10 3/4")	352 (13 7/8")	F130135003 604	5
305 (12")	323 (12 23/32")	327 (12 7/8")	370 (14 9/16")	F130135004 604	5
381 (15")	399 (15 23/32")	403 (15 7/8")	446 (17 9/16")	F130135005 604	5
457 (18")	475 (18 11/16")	479 (18 27/32")	522 (20 9/16")	F130135006 204U	5
533 (21")	551 (21 11/16")	555 (21 27/32")	598 (23 17/32")	F130135007 204U	5

Dynapro 16 Full Extension Slide 3D, 132 lb (60 kg) Heavy Duty



Drawer Length	Nominal Length	Min Installation Depth	Item No.	PU
457 (18")	475 (18 11/16")	479 (18 27/32")	F130135008 604	5
533 (21")	551 (21 11/16")	555 (21 27/32")	F130135009 604	5
610 (24")	628 (24 23/32")	632 (24 7/8")	F130135010 604	5

Note: Heavy duty and extended length slides must be blocked out for face frame application.

Dynapro 16 Full Extension Slide 3D, 110 lb (50 kg) Extended Length

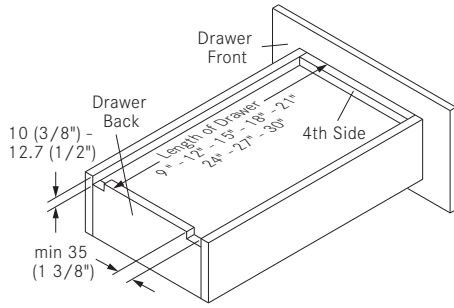


Drawer Length	Nominal Length	Min Installation Depth	Item No.	PU
686 (27")	704 (27 23/32")	708 (27 7/8")	F130135011 604	5
762 (30")	780 (30 23/32")	784 (30 7/8")	F130135012 604	5

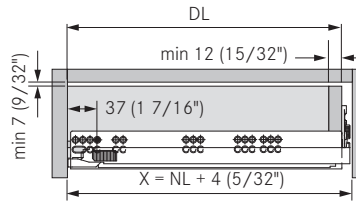
Note: Heavy duty and extended length slides must be blocked out for face frame application.

PU - Packaging unit

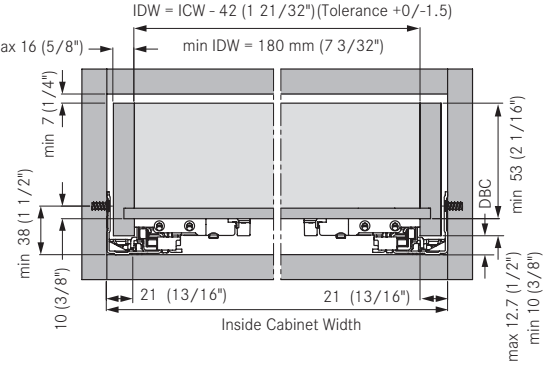
Drawer Measurements



Drawer

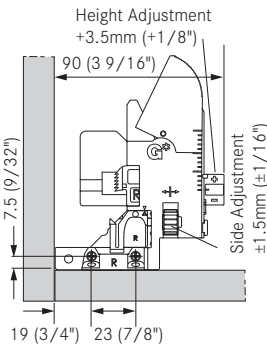


Drawer Installation Dimensions

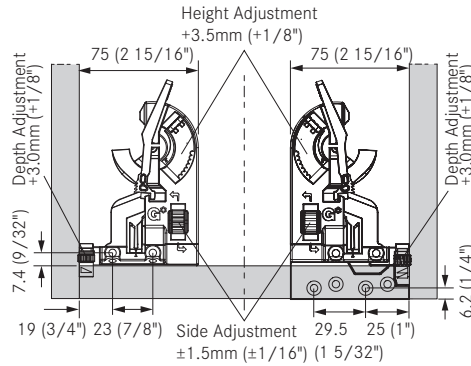


Front Locking Device Installation

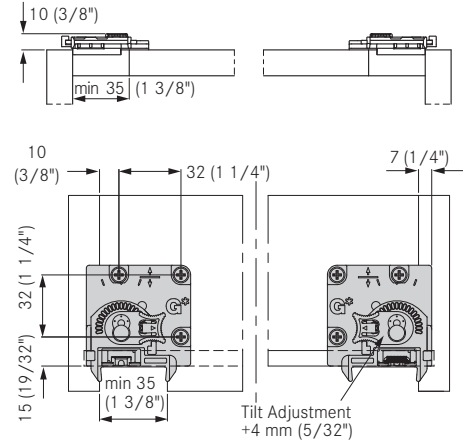
Front Locking Device



2D/3D Front Locking Devices

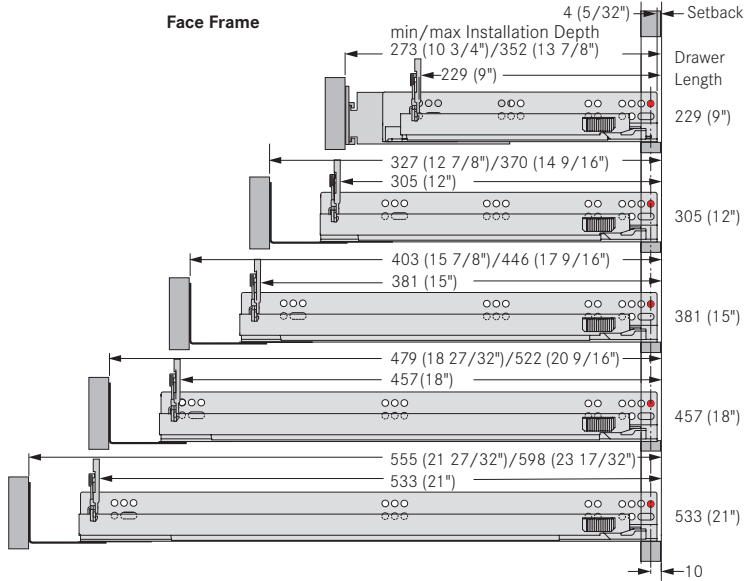


Tilt Adjustment Adapter Installation

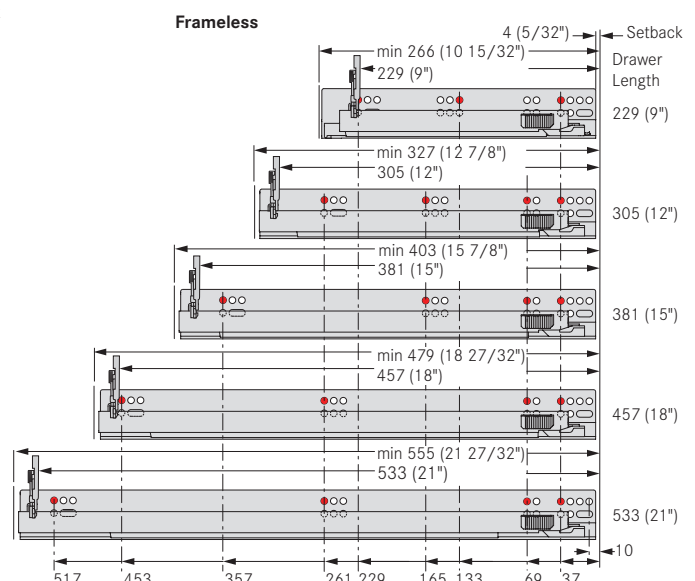


Cabinet Boring Specifications

Face Frame



Frameless



Pre-drilling recommended Ø2.5mm (3/32").

Note: The recommendations for screw placement are guidelines only. Installers need to ensure that the cabinet wall is adequate.

DBC = drawer bottom clearance

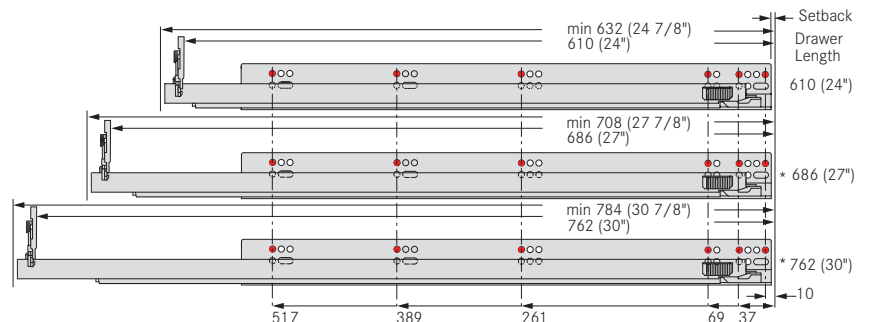
DL = drawer length

ICW = inside cabinet width

IDW = inside drawer width

NL = nominal length

X = minimum installation depth



Subject to technical modifications without notice.

Dynapro 19, Full Extension Slide, 3D

Integrated Soft-close with optional 4-dimensional adjustment for 19mm (3/4") drawer material



- Face frame or frameless applications from 16mm (5/8") to 19mm (3/4") drawer material
- Full extension with a synchronized mechanism
- Fully enclosed soft-close liquid damping system
- Self-latching front locking devices have comfortable release levers for drawer removal and installation
- Height adjustment +3.5mm with suitable front locking device
- Side adjustment ± 1.5 mm with suitable front locking device
- Tilt adjustment +4.0mm
- Depth adjustment +3.0mm forward with suitable front locking device

Dynapro 19 Full Extension Slide 3D, 100 lb (45 kg)



Drawer Length	Nominal Length	Min Installation Depth	Max Installation Depth	Item No.	PU
229 (9")	262 (10 5/16")	273 (10 3/4")	352 (13 7/8")	F130135022 204	5
305 (12")	323 (12 23/32")	327 (12 7/8")	370 (14 9/16")	F130135023 604	5
381 (15")	399 (15 23/32")	403 (15 7/8")	446 (17 9/16")	F130135024 604	5
457 (18")	475 (18 11/16")	479 (18 27/32")	522 (20 9/16")	F130135025 604	5
533 (21")	551 (21 11/16")	555 (21 27/32")	598 (23 17/32")	F130135026 604	5

Dynapro 19 Full Extension Slide 3D, 132 lb (60 kg) Heavy Duty



Drawer Length	Nominal Length	Min Installation Depth	Item No.	PU
457 (18")	475 (18 11/16")	479 (18 27/32")	F130135027 604	5
533 (21")	551 (21 11/16")	555 (21 27/32")	F130135028 604	5
610 (24")	628 (24 23/32")	632 (24 7/8")	F130135427 604	5

Note: Heavy duty and extended length slides must be blocked out for face frame application.

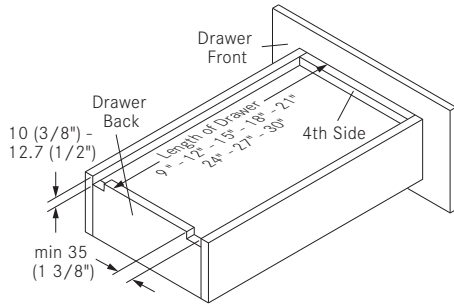
Dynapro 19 Full Extension Slide 3D, 110 (50 kg) Extended Length



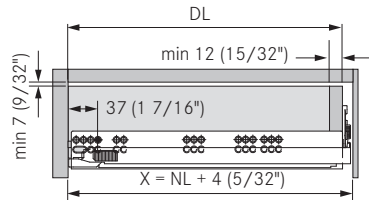
Drawer Length	Nominal Length	Min Installation Depth	Item No.	PU
686 (27")	704 (27 23/32")	708 (27 7/8")	F130136064 604	5
762 (30")	780 (30 23/32")	784 (30 7/8")	F130135029 604	5

Note: Heavy duty and extended length slides must be blocked out for face frame application.

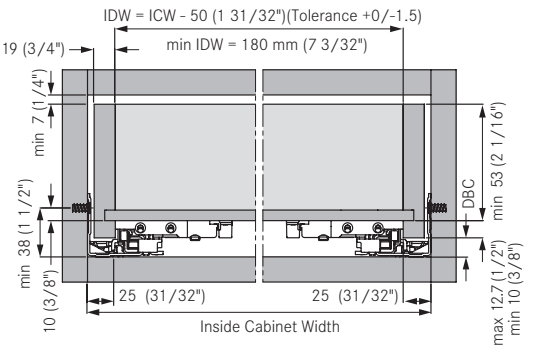
Drawer Measurements



Drawer

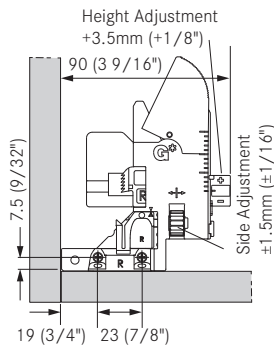


Drawer Installation Dimensions

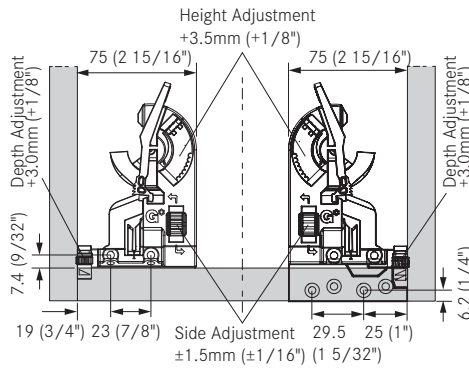


Front Locking Device Installation

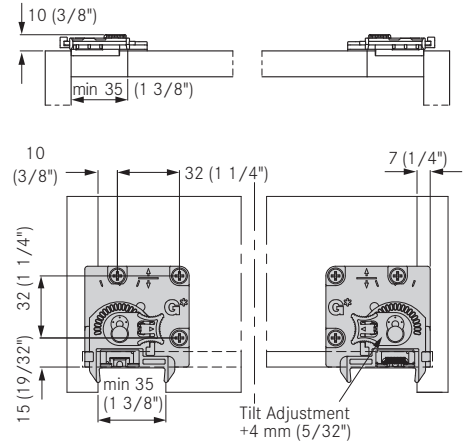
Front Locking Device



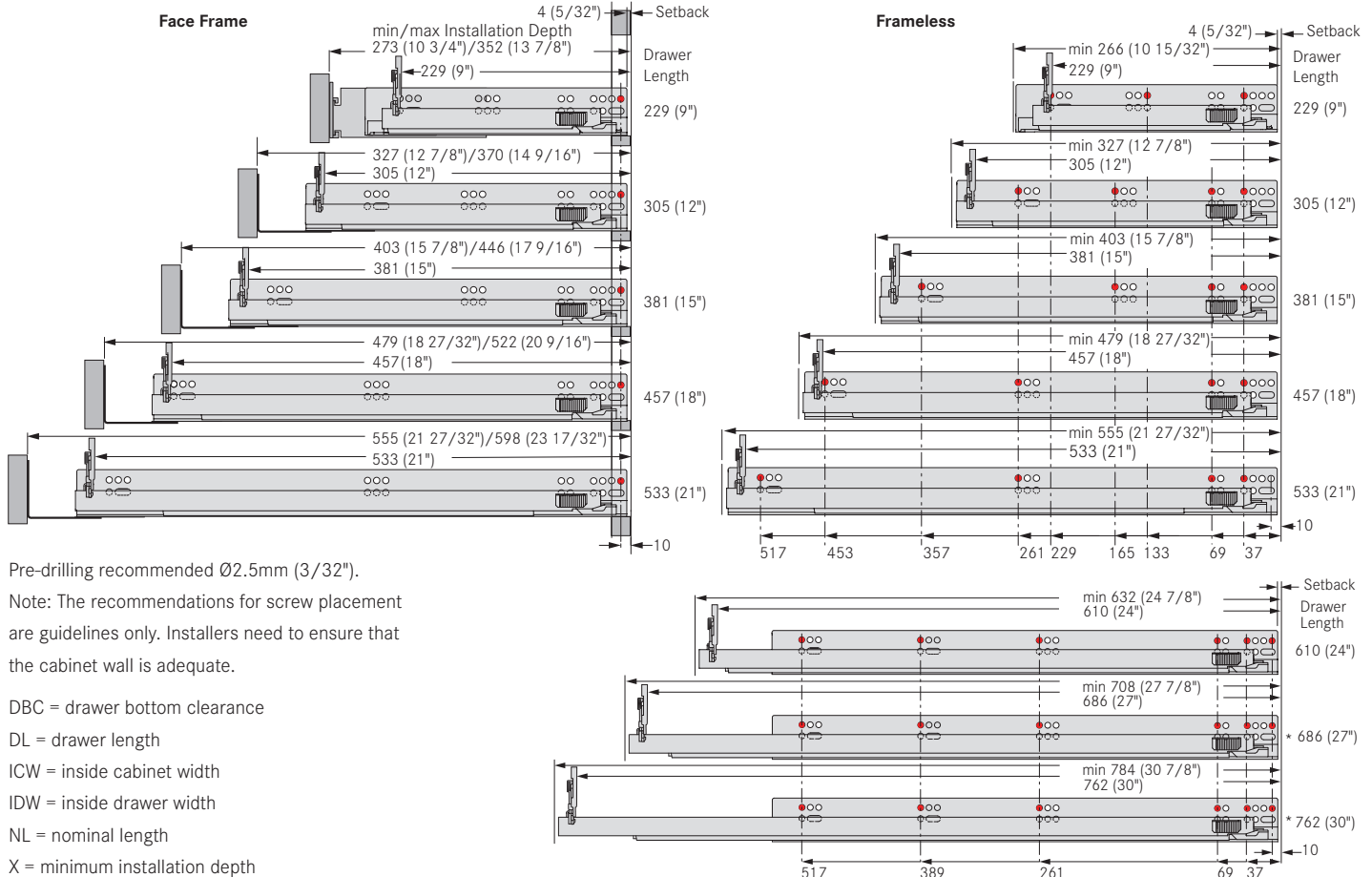
2D/3D Front Locking Devices



Tilt Adjustment Adapter Installation



Cabinet Boring Specifications



Pre-drilling recommended $\varnothing 2.5\text{mm}$ (3/32").

Note: The recommendations for screw placement are guidelines only. Installers need to ensure that the cabinet wall is adequate.

DBC = drawer bottom clearance

DL = drawer length

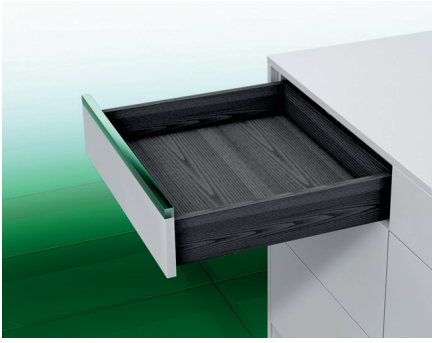
ICW = inside cabinet width

IDW = inside drawer width

NL = nominal length

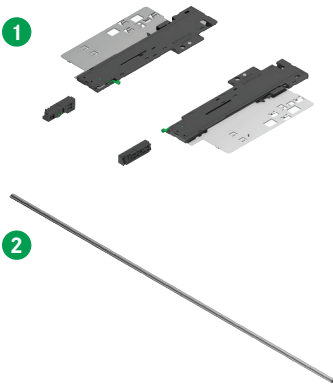
X = minimum installation depth

Dynapro Tipmatic Soft-close



- Face frame or frameless applications for Dynapro 16 and 19
- Mechanical opening system for handle-free fronts
- Combines Tipmatic function with Soft-close damping
- Tool-free assembly of the Tipmatic Soft-close unit
- One Tipmatic Soft-close set for all slide lengths
- 3-tier adjustment for the opening force
- Wide activation zone due to synchronization bar
- Works with Dynapro 3D slides including heavy duty
- Dynapro Tipmatic Soft-close works with all Dynapro front locking devices
- For inside cabinet widths up to 1168mm (46")

Tipmatic Soft-close for Dynapro 3D



Description	Item No.	PU
(Must order separately)		
1 Tipmatic Soft-close set, unit and activator	F134141632607	10
2 Tipmatic synchronization bar - cut to length, 952mm (37 1/2")	F134109410207	10

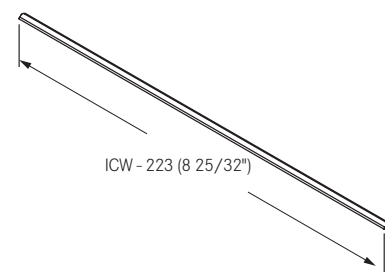
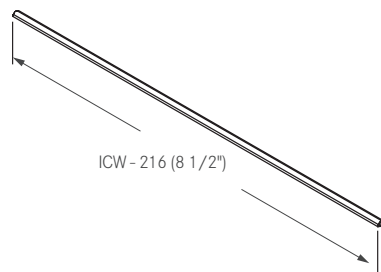
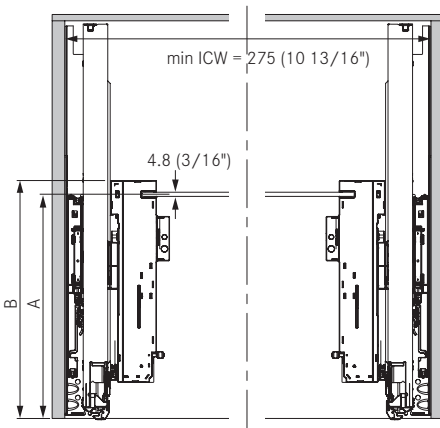
Note: Tipmatic Soft-close does not work with 9" slides.

Drawer Length	Nominal Length	Min Inst. Depth	Max Inst. Depth
305 (12")	323 (12 23/32")	327 (12 7/8")	370 (14 9/16")
381 (15")	399 (15 23/32")	403 (15 7/8")	446 (17 9/16")
457 (18")	475 (18 11/16")	479 (18 27/32")	522 (20 9/16")
533 (21")	551 (21 11/16")	555 (21 27/32")	598 (23 17/32")
610 (24")	628 (24 23/32")	632 (24 7/8")	-
686 (27")	704 (27 23/32")	708 (27 7/8")	-
762 (30")	780 (24 23/32")	784 (30 7/8")	-

Position of the Synchronization Bar

Synchronization Bar Cut - 16mm

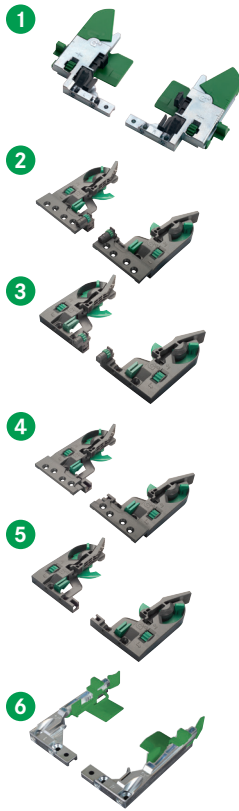
Synchronization Bar Cut - 19mm



Drawer Length	A	B
305 (12")	261 (10 9/32")	278 (10 15/16")
381 - 762 (15 - 30")	296 (11 21/32")	313 (12 5/16")

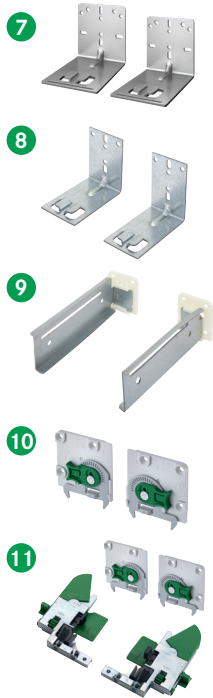
PU - Packaging unit

Front Locking Devices



Description	Adjustments	Item No.	PU
(Must order separately)			
1 Front locking device, left	height, side	F134125000633	200
Front locking device, right	height, side	F134125001633	200
Front locking device, set	height, side	F134101400104	5
2 3D Flanged front locking device, left	height, side, depth	F134108942233	200
3D Flanged front locking device, right	height, side, depth	F134108943233	200
3 3D Front locking device, left	height, side, depth	F134108947233	200
3D Front locking device, right	height, side, depth	F134108948233	200
4 2D Flanged front locking device, left	height, side	F134108944233	200
2D Flanged front locking device, right	height, side	F134108945233	200
5 2D Front locking device, left	height, side	F134108950233	200
2D Front locking device, right	height, side	F134108951233	200
6 Narrow front locking device, left	height	F134100699233	200
Narrow front locking device, right	height	F134100700233	200

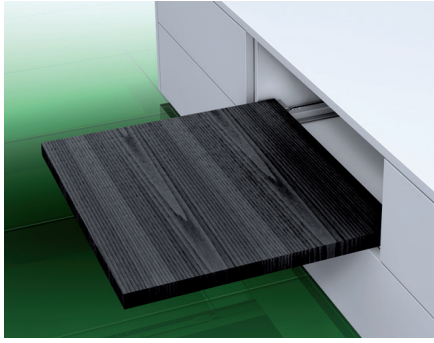
Rear Mounting Brackets and Adjustment Adapters



Description	Item No.	PU
(Must order separately)		
7 Rear mounting brackets, non-handed for 12"-21" slides, each	7950.VE300	300
8 Narrow rear mounting brackets, non-handed for 12"-21" slides, each	7951.VE300	300
9 Rear mounting sockets for 9" slides, set Set Includes: left and right sockets, (4) #M5 x 8 screw	00433-37	5
10 Tilt adjustment adapter, left	F134125002233	200
Tilt adjustment adapter, right	F134125003233	200
11 Front locking device and adjustment adapter set Set Includes: Front locking device set and tilt adjustment adapter set	F134125074517	1

Dynapro Pull Out Shelf

Base Panel Mount Drawer Slides and 1D Front Locking Device Set



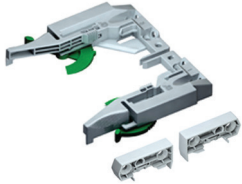
- Full extension with a synchronized mechanism
- Soft-close damping system
- Lower cabinet members allow for pull-out shelf
- Suitable for inset shelves
- Height adjustment +3.5mm with front locking device
- 88 lb load rating (40 kg)
- For frameless cabinetry

Dynapro Base Panel Mount Drawer Slides, 88 lb (40 kg)



Drawer Length	Item No.	PU
450 (18")	F130107884 604	5
500 (20")	F130107890 604	5
550 (22")	F130107893 604	5

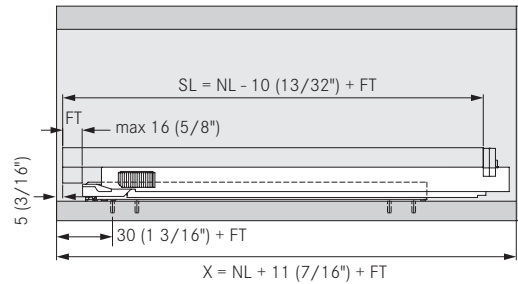
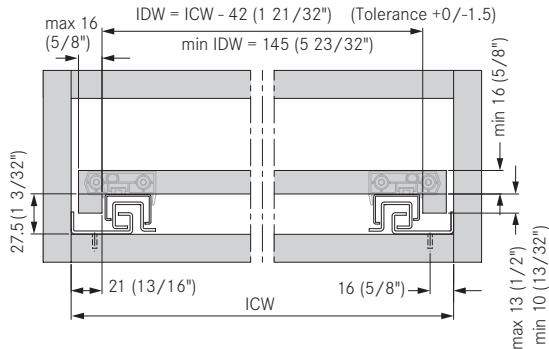
Front Locking Device



Description	Item No.	PU
(Must order separately)		
1D Front locking device & shelf holder, set	F134107411 517	50

Shelf Measurements

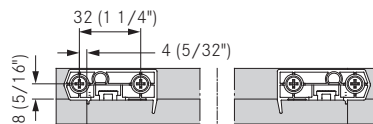
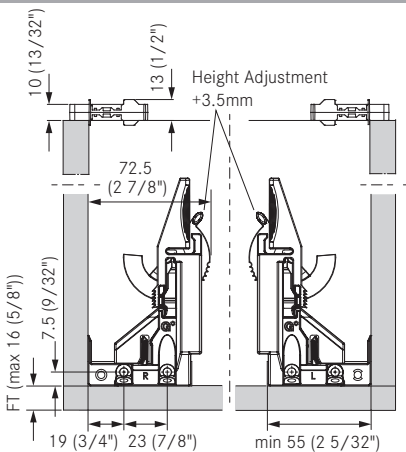
Pull Out Shelf



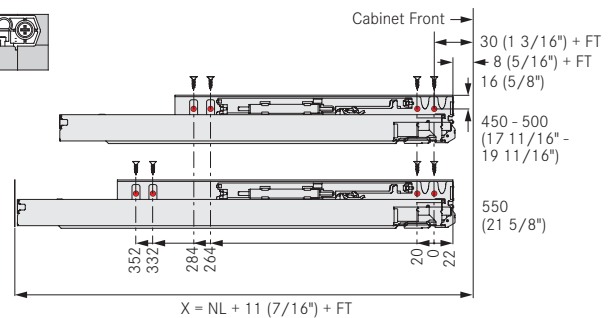
Front Locking Device Installation

Shelf Holder Installation

Cabinet Boring Specifications - Top View



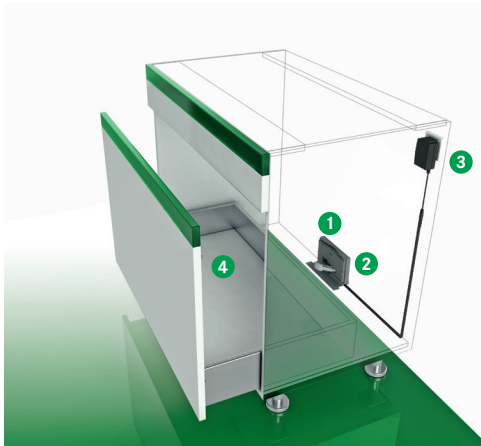
FT = front thickness
 ICW = inside cabinet width
 IDW = inside drawer width
 NL = nominal length
 SL = shelf length
 X = minimum installation depth



PU - Packaging unit

Sensomatic Opening System

For Dynapro Drawers



Sensomatic, an electro-mechanical opening system with Soft-close, offers the advantages of handle free openings with the functionality of a soft-closing action. Sensomatic can be activated by a light touch on the surface of the drawer front. A simple installation process creates a drawer system that is steady, precise, and ingenious. Sensomatic, efficient regarding power consumption and occupied space, needs only one drive unit for cabinet widths up to 47 1/4" (1200mm) regardless of the weight. Accessories such as wire baskets, trash can receptacles, or roll-out trays can be fitted with the Sensomatic system without modification. Sensomatic offers drawer mounting options for a horizontal or vertical wooden stretcher, single drawer top mount, and waste bin kit for bottom mounting, as shown here.

More product information is available in the Online Catalog.

Sensomatic Kit

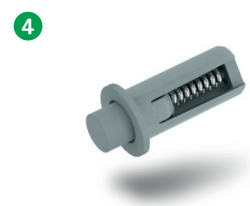
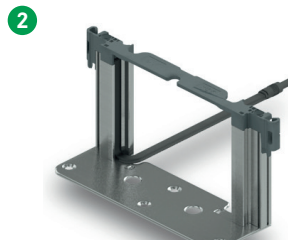
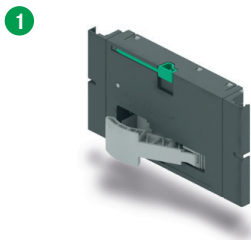


	Item No.	PU
For Dynapro	F121100697201	1

PU = 1 set

Set contains:

- 1 - Opening unit
- 2 - Base frame
- 3 - Power supply unit
- 4 - Front bumpers
(front gap 2.2mm - F121100294223)





GRASS America Inc.
1202 NC Highway 66 South
Kernersville, NC 27284

Phone: 1-800-334-3512
Fax: 1-800-525-8406

www.grassusa.com
info@grassusa.com

